



LEFROY BROOKS

1 8 2 8 T R O U T M A N S T R E E T
R I D G E W O O D N E W Y O R K N Y 1 1 3 8 5 U S A
T : + 1 (7 1 8) 3 0 2 5 2 9 2 F : + 1 (7 1 8) 3 0 2 4 1 7 7

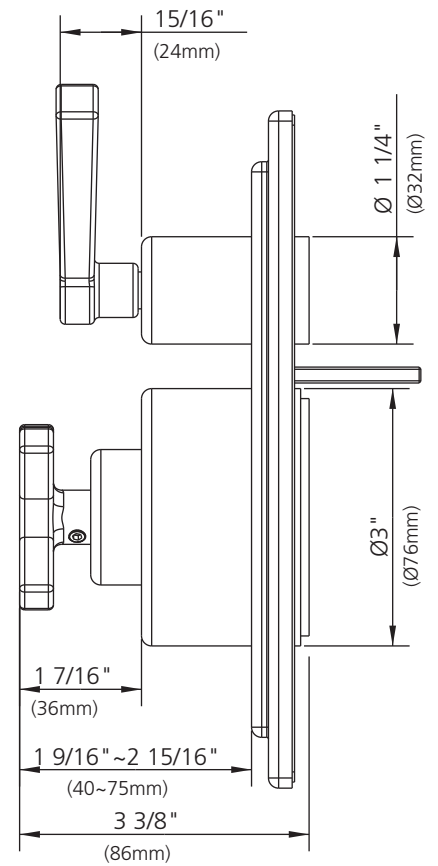
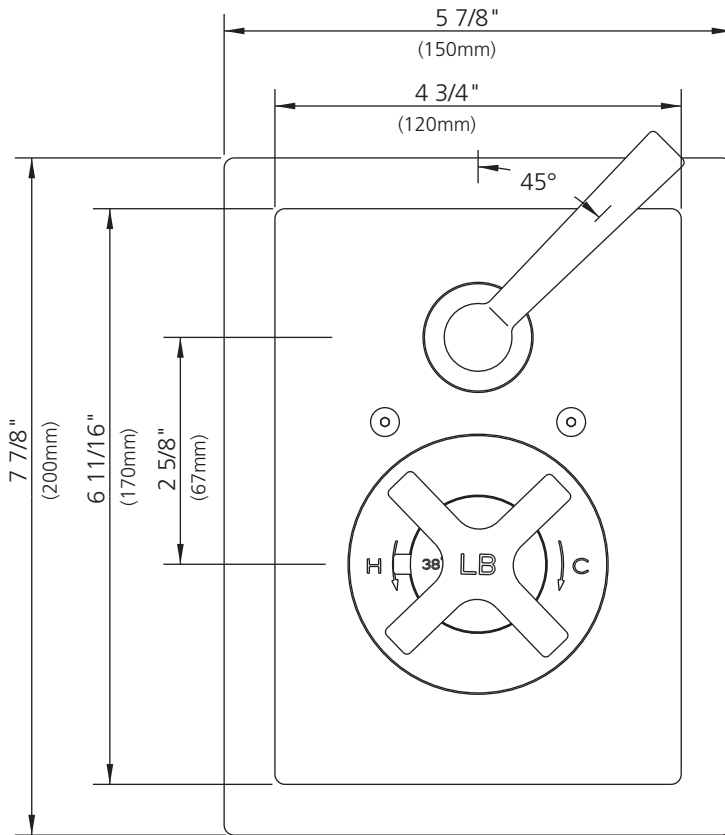
M1-4405 (MK8706)

CROSS HANDLE THERMOSTATIC WITH "LB" LOGO WITH LEVER
FLOW CONTROL TRIM ONLY, TO SUIT M1-4201 ROUGH

DIMENSIONAL DATA SHEET

DATE: 16 August 2012

No: A667988



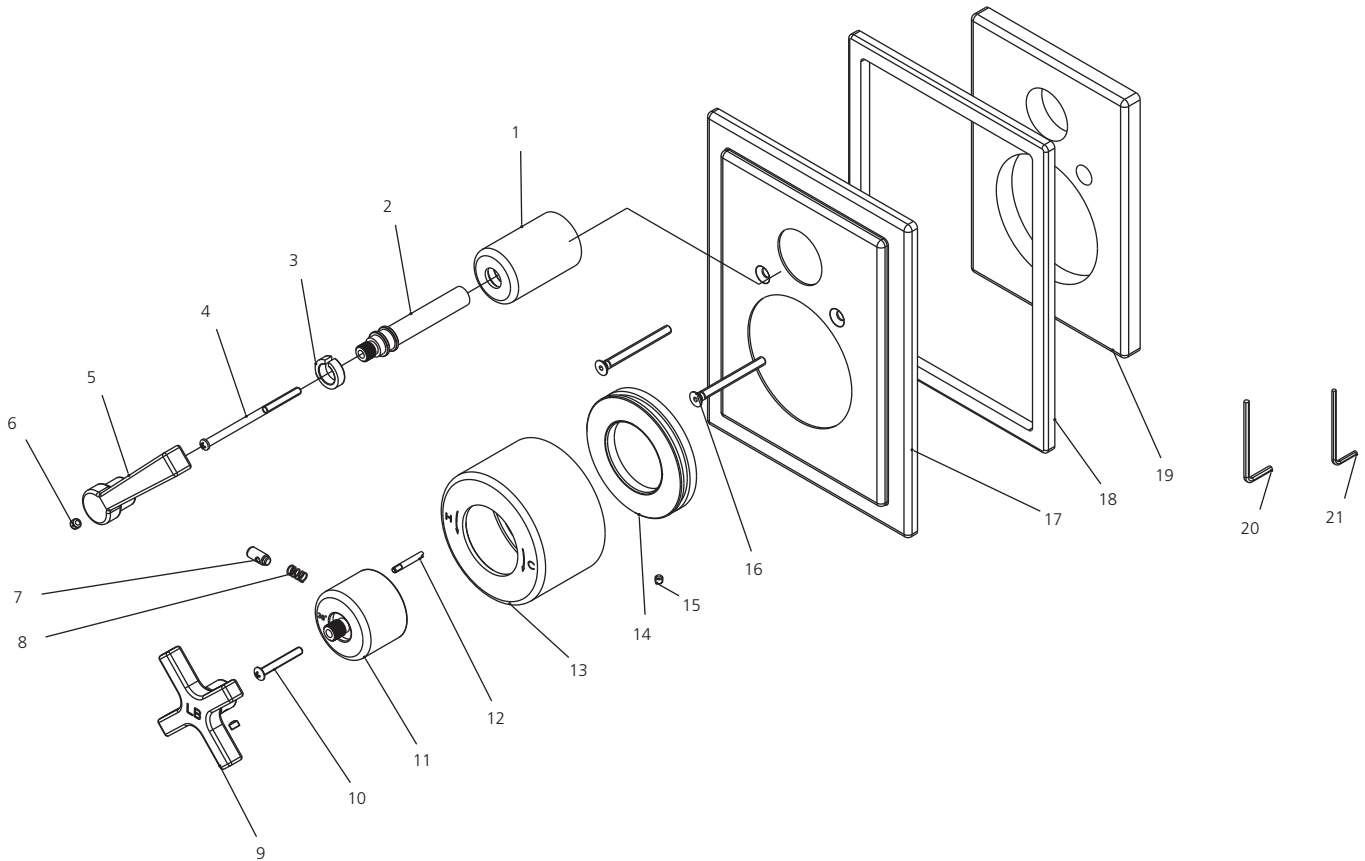
COPYRIGHT © LBIP LTD 2012. ALL RIGHTS RESERVED.

DIMENSIONS IN INCHES & MILLIMETRES

WHILST EVERY EFFORT IS MADE TO ENSURE THE ACCURACY OF THESE DATA SHEETS THEY ARE SUBJECT TO CHANGE WITHOUT NOTICE AS PART OF THE COMPANY'S PRODUCT DEVELOPMENT PROCESS

M1-4405 (MK8706)

CROSS HANDLE THERMOSTATIC WITH "LB" LOGO WITH LEVER FLOW CONTROL TRIM ONLY, TO SUIT M1-4201 ROUGH



- | | | | |
|----|-------------------------|----|-------------------------|
| 1 | Canopy (018960) | 12 | Pin (003147) |
| 2 | Stem extension (110386) | 13 | Canopy (018959-52) |
| 3 | Clip (012242) | 14 | Adjusting ring (104295) |
| 4 | Screw (008196) | 15 | Set screw (065086) |
| 5 | Handle (029686) | 16 | Screw (008186) |
| 6 | Set screw (292598) | 17 | Front plate (006584) |
| 7 | Limit button (036272) | 18 | Oil seal (010940) |
| 8 | Spring (005157) | 19 | Spacer (013816) |
| 9 | Handle (029685-51) | 20 | Allen key (031000) |
| 10 | Screw (008994) | 21 | Allen key (031003) |
| 11 | Adaptor (067960-50) | | |

Standards

IAPMO/cUPC Listed
Meets A112.18.1

Please note :

Final achievable flow rate is dependent on the outlets fitted, see relevant outlets (spouts, roses, sprays) for fully assembled product flow rate.